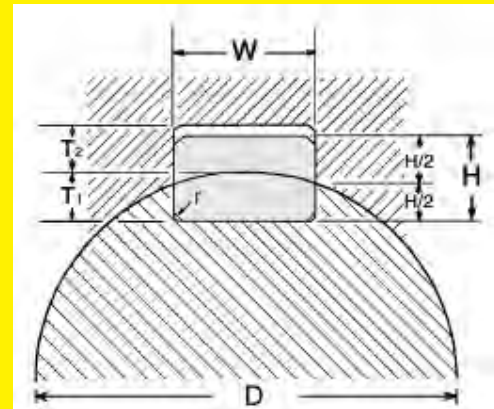


RECTANGULAR KEYWAYS



Metric:
W x H Key
W x T₂ Keyway

ISO Standard — mm

Shaft Diameter		Groove Width	H	T1	T2*
D					
>	≤				
6	8	2	2	1.2	1
8	10	3	3	1.8	1.4
10	12	4	4	2.5	1.8
12	17	5	5	3.0	2.3
17	22	6	6	3.5	2.8
22	30	8	7	4.0	3.3
30	38	10	8	5.0	3.3
38	44	12	8	5.0	3.3
44	50	14	9	5.5	3.8
50	58	16	10	6.0	4.3
58	65	18	11	7.0	4.4
65	75	20	12	7.5	4.9
75	85	22	14	9.0	5.4
85	95	25	14	9.0	5.4
95	110	28	16	10.0	6.4
110	130	32	18	11.0	7.4
130	150	36	20	12.0	8.4
150	170	40	22	13.0	9.4
170	200	45	25	15.0	10.4
200	230	50	28	17.0	11.4
230	260	56	32	20.0	12.4
260	290	63	32	20.0	12.4
290	330	70	36	22.0	14.4